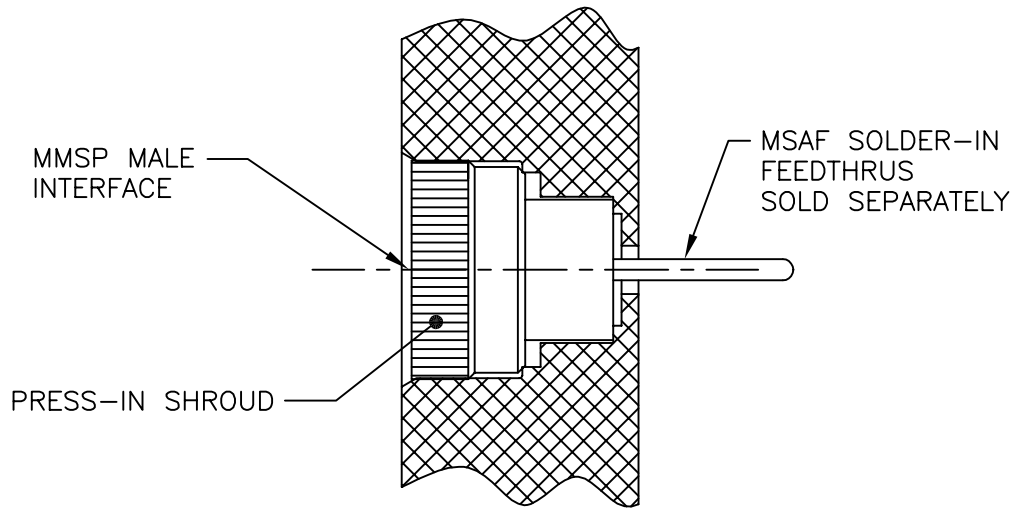
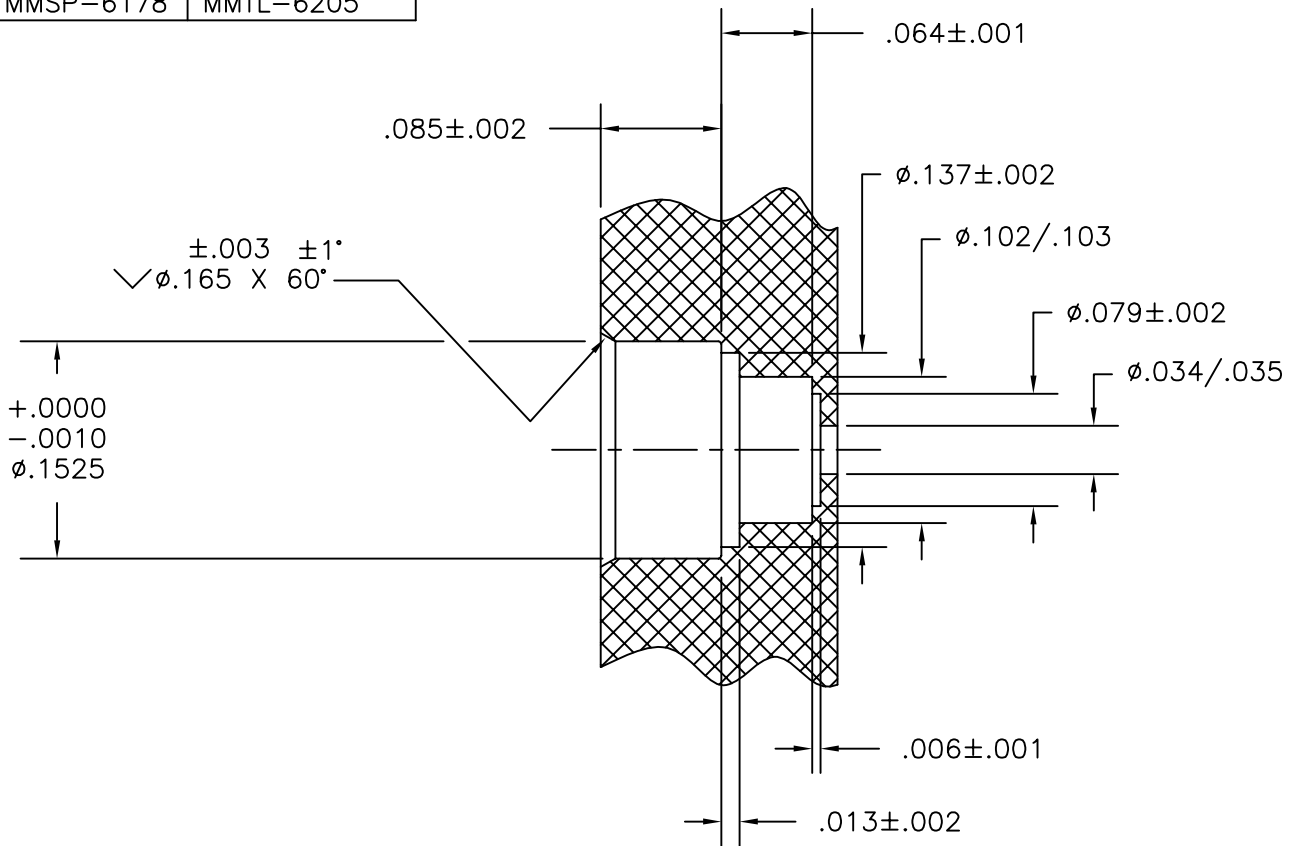


DETENT	PART#	PRESS TOOL
FD	MMSP-6199	MMTL-6207
LD	MMSP-6198	MMTL-6206
SB	MMSP-6178	MMTL-6205

**MOUNTING HOLE GUIDELINES
FOR PRESS-IN SHROUDS**



PART NO. MMAP-7685 | MOUNTING HOLE GUIDELINES



MICRO-MODE PRODUCTS, INC.
The Reliable Connection to the Future

El Cajon, CA 92020
ph 619.449.3844
www.micromode.com

CAGE CODE
15907

*THESE DIMENSIONS ARE PROVIDED AS A REFERENCE, CUSTOMER APPLICATIONS MAY VARY AND REQUIRE SPECIAL PANEL FEATURES.

MOUNTING HOLE GUIDELINES FOR
MMSP PRESS-IN SHROUDS

DEFAULT TOLERANCES: .XXX ± .005 .XX ± .01

DOCUMENT NO.

REVISION

SHEET 1 OF 1 | OL7685 1-14-03 EB DR

MMAP-7685

—