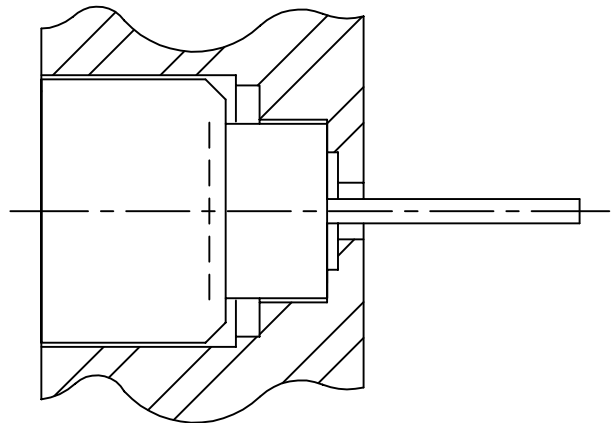
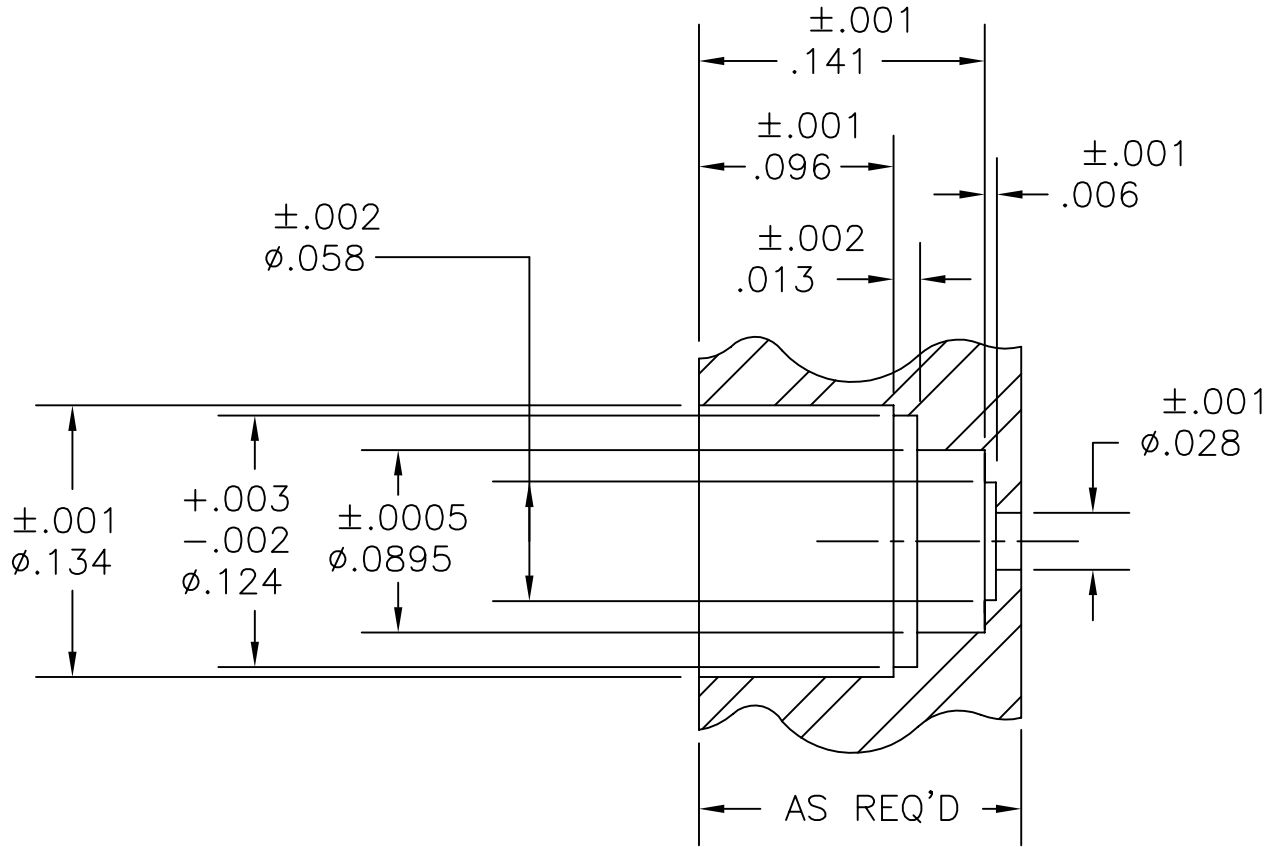


MOUNTING HOLE GUIDELINES FOR MSSP HERMETIC SOLDER-IN SHROUDS



THE ABOVE DIMENSIONS ARE GUIDELINES ONLY. CHANGES MAY BE REQUIRED DUE TO DIFFERING MATERIALS, PROCESSES, TYPE OF BRAZE, SOLDER OR EPOXY.

PART NO. MMAP-7447

MOUNTING HOLE GUIDELINES



MICRO-MODE PRODUCTS, INC.
The Reliable Connection to the Future

El Cajon, CA 92020
 ph 619.449.3844
 www.micromode.com

CAGE CODE
 15907

REF: MSSP-5640 TO MSSP-5647
 MSSP-7433

MOUNTING HOLE GUIDELINES FOR
 HERMETIC SOLDER-IN MSSP SHROUDS

DEFAULT TOLERANCES: .XXX ± .005 .XX ± .01

PART NO. MMAP-7447 REVISION —

SHEET 1 OF 1 OL7447 6-9-04 EB