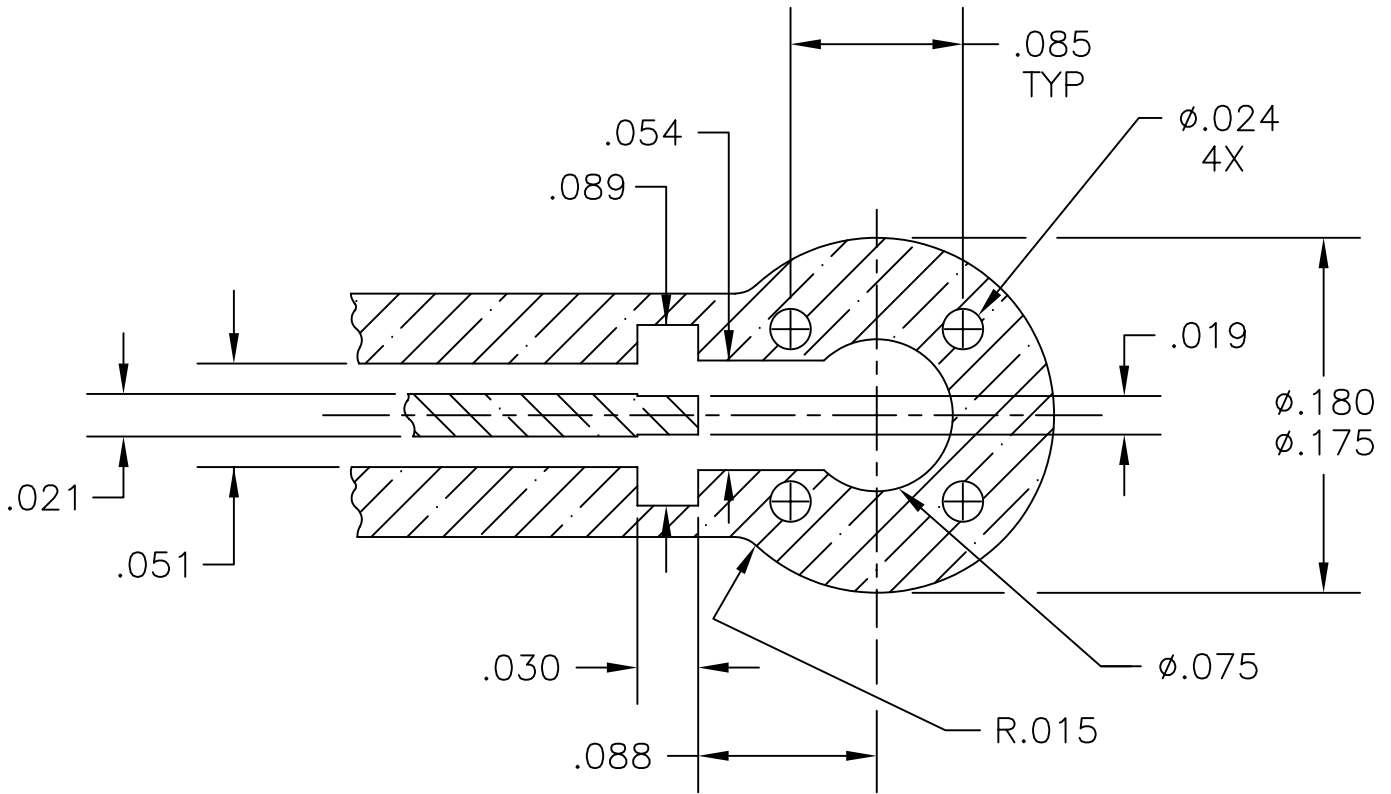


MOUNTING HOLE & INSTALLATION GUIDELINES FOR:  
MMSP-7346 & MMSP-7836



PART NO. MMAP-6973

MOUNTING HOLE & INSTALLATION GUIDELINES



MICRO-MODE PRODUCTS, INC.  
*The Reliable Connection to the Future*

El Cajon, CA 92020  
ph 619.449.3844  
www.micromode.com

CAGE CODE  
15907

\*THESE DIMENSIONS ARE PROVIDED AS A REFERENCE.  
CUSTOMER APPLICATIONS MAY VARY AND REQUIRE  
SPECIAL FEATURES THAT ARE MATCHED TO THE  
LAUNCH TRANSITION.

MOUNTING HOLE AND INSTALLATION  
GUIDELINES FOR MMSP-7346  
& MMSP-7836

DEFAULT TOLERANCES: .XXX ± .005 .XX ± .01

PART NO.

REVISION

SHEET 1 OF 1 OL6973 1-31-05 MP

MMAP-6973

01