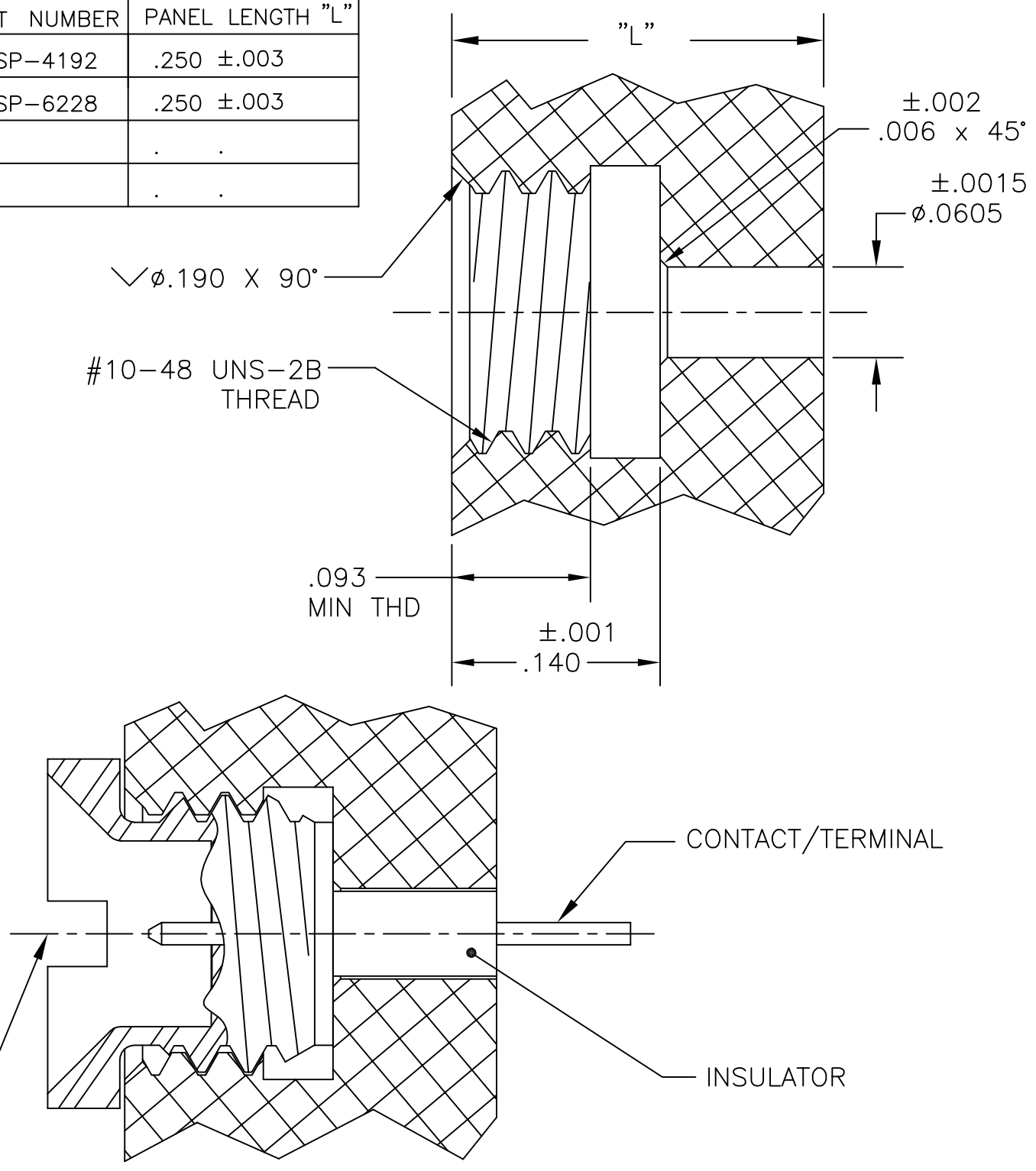


PART NUMBER	PANEL LENGTH "L"
MMSP-4192	.250 ±.003
MMSP-6228	.250 ±.003
.	.
.	.



MICRO-MODE PRODUCTS, INC.  
*The Reliable Connection to the Future*

El Cajon, CA 92020  
 ph 619.449.3844  
 www.micromode.com

CAGE CODE  
 15907

\*THESE DIMENSIONS ARE PROVIDED AS A REFERENCE, CUSTOMER APPLICATIONS MAY VARY AND REQUIRE SPECIAL PANEL FEATURES THAT ARE MATCHED TO THE LAUNCH TRANSITION.

RECOMMENDED MOUNTING HOLE FOR MMSP THREAD-IN, STRAIGHT TERMINALS, WITH A #10-48 UNS-2A THREAD.

SHEET 1 OF 1

OL5695

RF MP

PART NO. MMAP-5695

REVISION  
 -