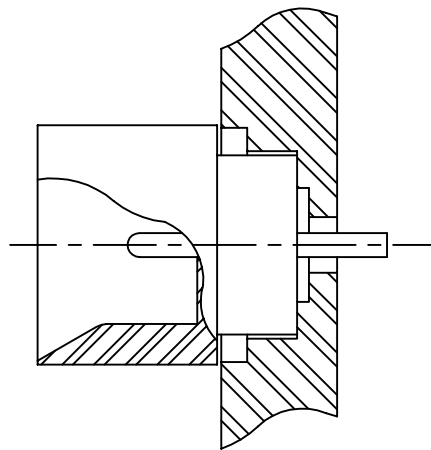
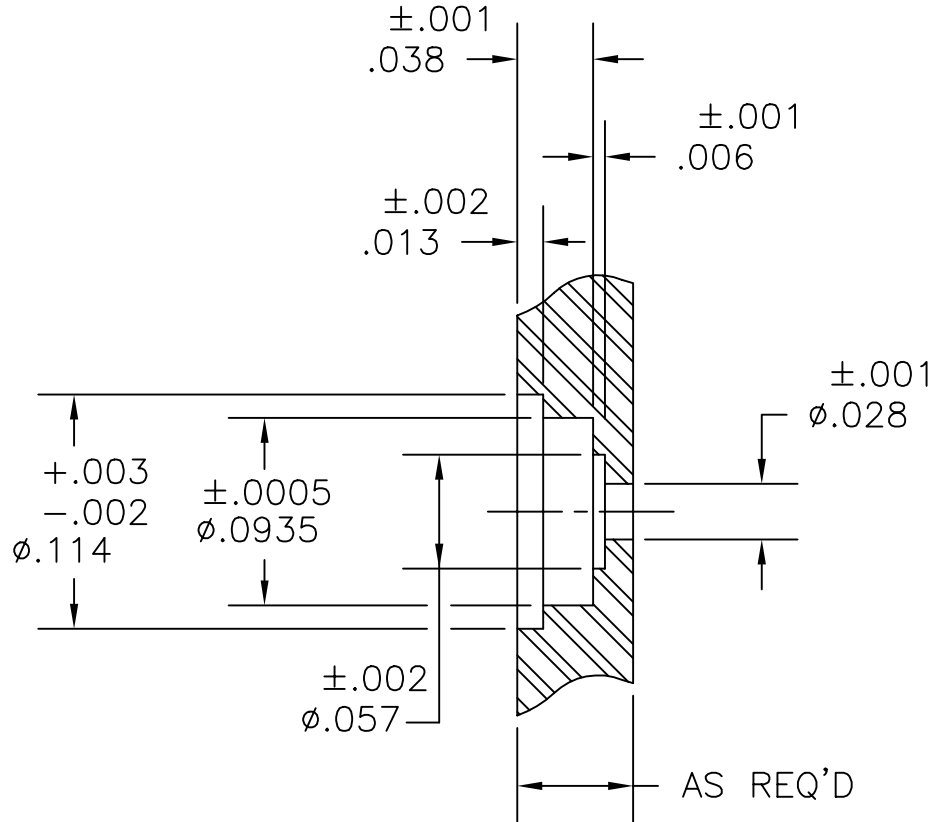


MOUNTING HOLE GUIDELINES FOR MSSS-6598



THE ABOVE DIMENSIONS ARE GUIDELINES ONLY. CHANGES MAY BE REQUIRED DUE TO DIFFERING MATERIALS, PROCESSES, TYPE OF BRAZE, SOLDER OR EPOXY.

PART NO. MMAP-5151
MOUNTING HOLE GUIDELINES



MICRO-MODE PRODUCTS, INC.
The Reliable Connection to the Future

El Cajon, CA 92020
ph 619.449.3844
www.micromode.com

CAGE CODE
15907

REF:

MOUNTING HOLE GUIDELINES FOR
MSSS-6598

DEFAULT TOLERANCES: .XXX ± .005 .XX ± .01

PART NO.

REVISION

SHEET 1 OF 1 | OL5151 3-27-02 RF JC

MMAP-5151

—