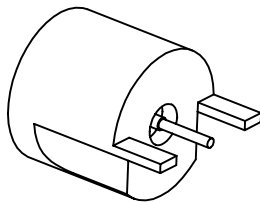
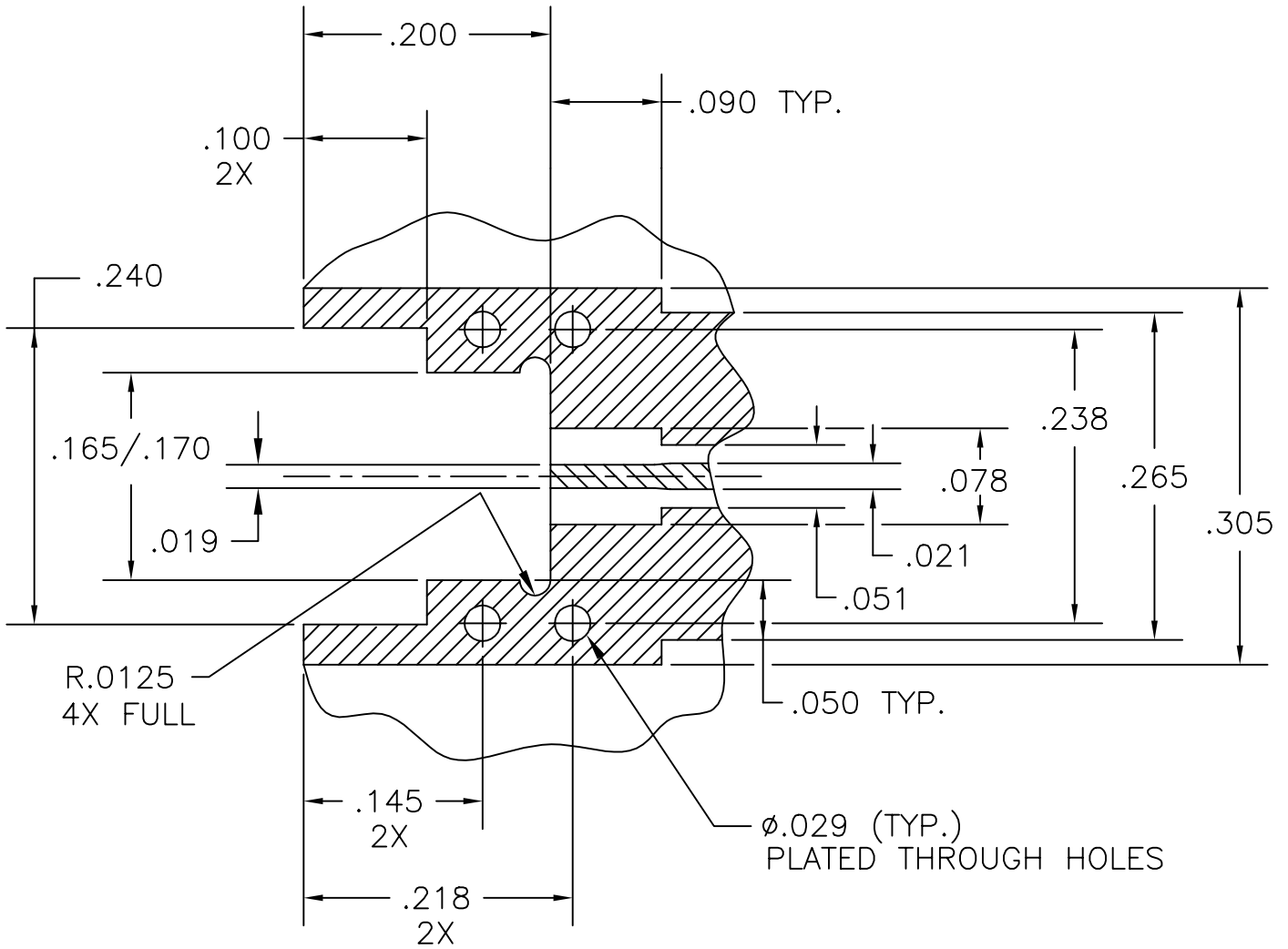


MOUNTING HOLE GUIDELINES FOR MMSP-4834 (M) SBCM EDGE LAUNCH SHROUD

PART NO. MMAP-4875

MOUNTING HOLE GUIDELINES



THE DIMENSIONS ARE GUIDELINES ONLY. CHANGES MAY BE REQUIRED DUE TO DIFFERING MATERIALS, PROCESSES, TYPE OF BRAZE, SOLDER OR EPOXY.



MICRO-MODE PRODUCTS, INC.  
The Reliable Connection to the Future

El Cajon, CA 92020  
ph 619.449.3844  
www.micromode.com

CAGE CODE  
15907

ASSY PROCEDURES: N/A

INSERTION/EXTRACTION TOOL: N/A

MOUNTING HOLE GUIDELINES FOR  
MMSP-4834(M), SBCM EDGE LAUNCH SHROUD

PART NO.

MMAP-4875

REVISION

01

SHEET 1 OF 1 OL4875 11-30-01 MP RF