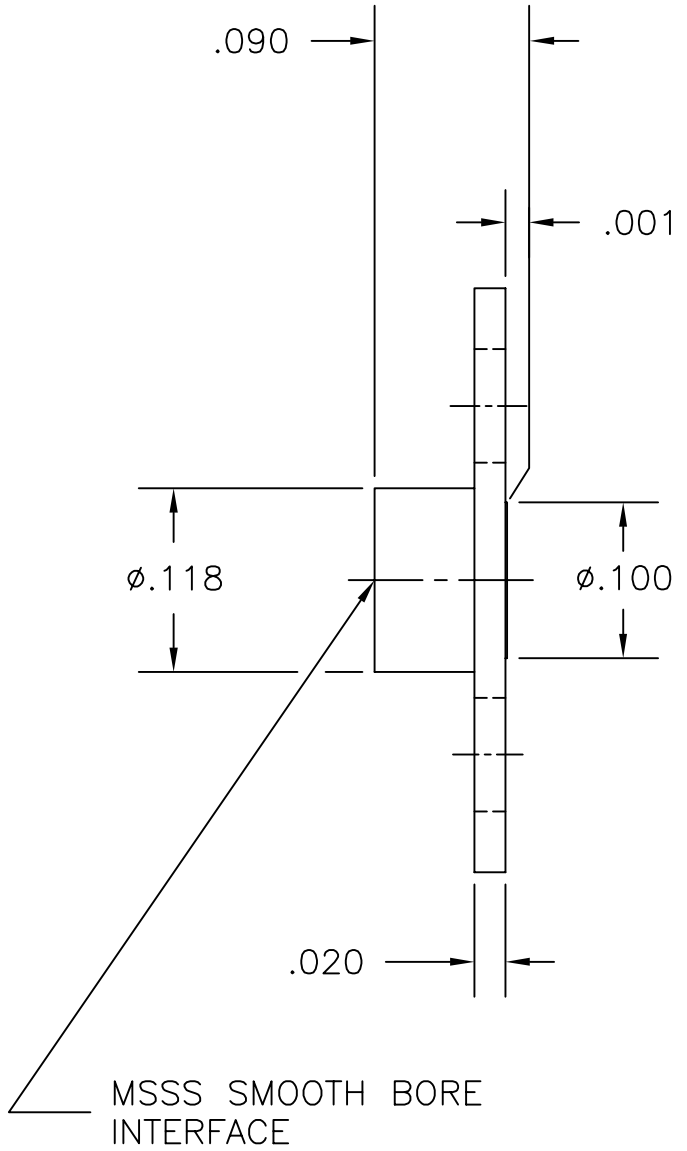
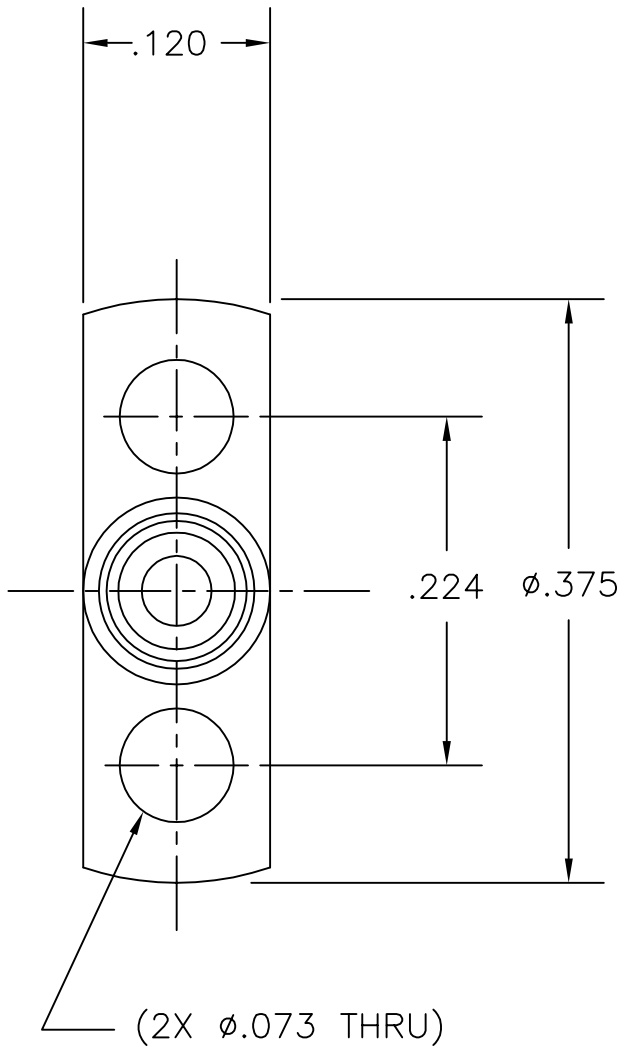


COMPONENT	MATERIAL AND FINISH	
SHROUD	303 CRES, ASTM A582	PASSIVATE, AMS-QQ-P-35

PART NO. MSSS-6117

OUTLINE DRAWING



MICRO-MODE PRODUCTS, INC.
The Reliable Connection to the Future

El Cajon, CA 92020
 ph 619.449.3844
 www.micromode.com

CAGE CODE
 15907

ASSY PROCEDURES:	MSSS, SMOOTH BORE SHROUD .224 HOLE SPACING
INSERTION/EXTRACTION TOOL:	
SHEET 1 OF 1	OL6117 11-6-98 NK PC

PART NO.	MSSS-6117	REVISION	A
----------	-----------	----------	---