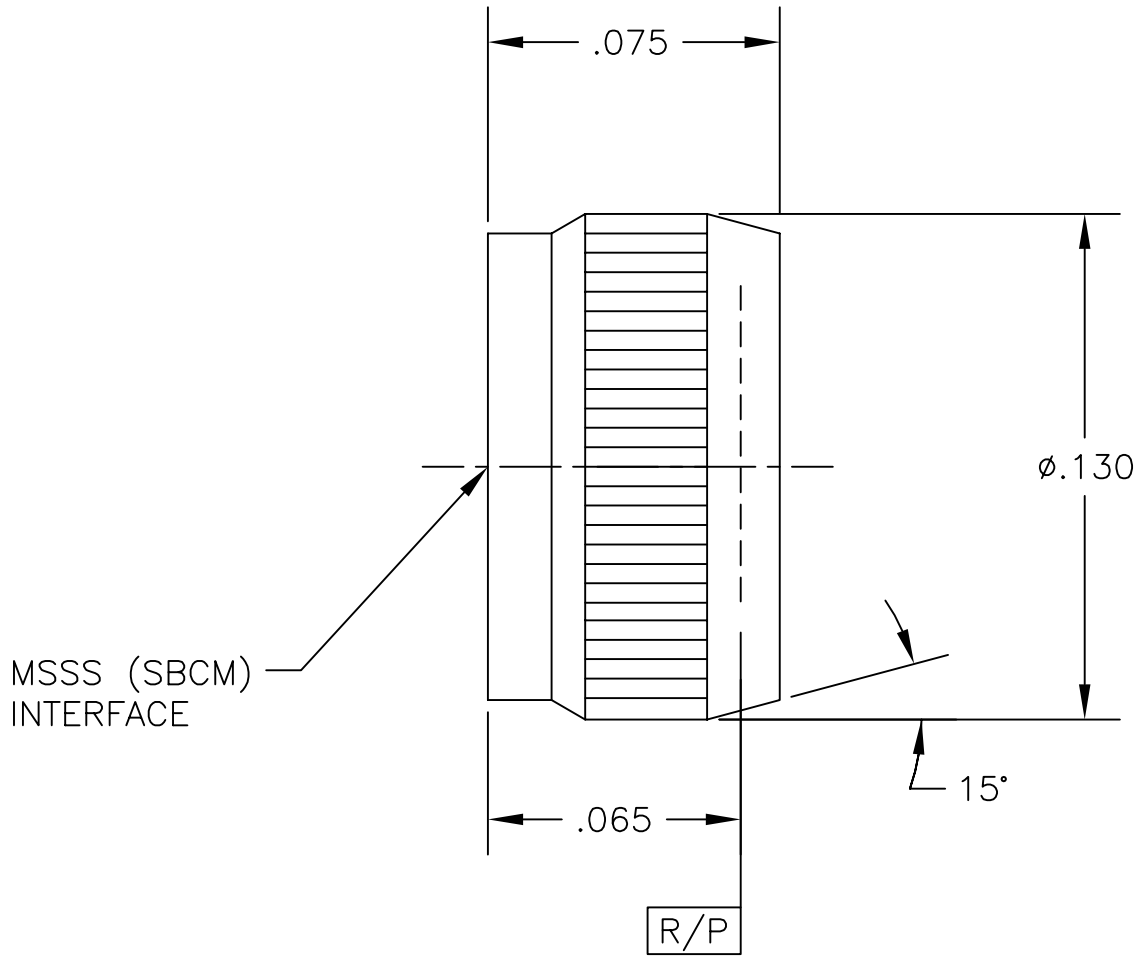


COMPONENT	MATERIAL AND FINISH	
SHROUD	303 CRES, ASTM A582	PASSIVATE, AMS-QQ-P-35

PART NO. MSSS-5451

OUTLINE DRAWING



MICRO-MODE PRODUCTS, INC.
The Reliable Connection to the Future

El Cajon, CA 92020
 ph 619.449.3844
 www.micromode.com

CAGE CODE
 15907

ASSY PROCEDURES:

INSERTION/EXTRACTION TOOL:

MSSS SHROUD, SMOOTH BORE
 CATCHER'S MITT, PRESS-IN

PART NO.

MSSS-5451

REVISION

A

SHEET 1 OF 1

OL5451 8-2-02

MP